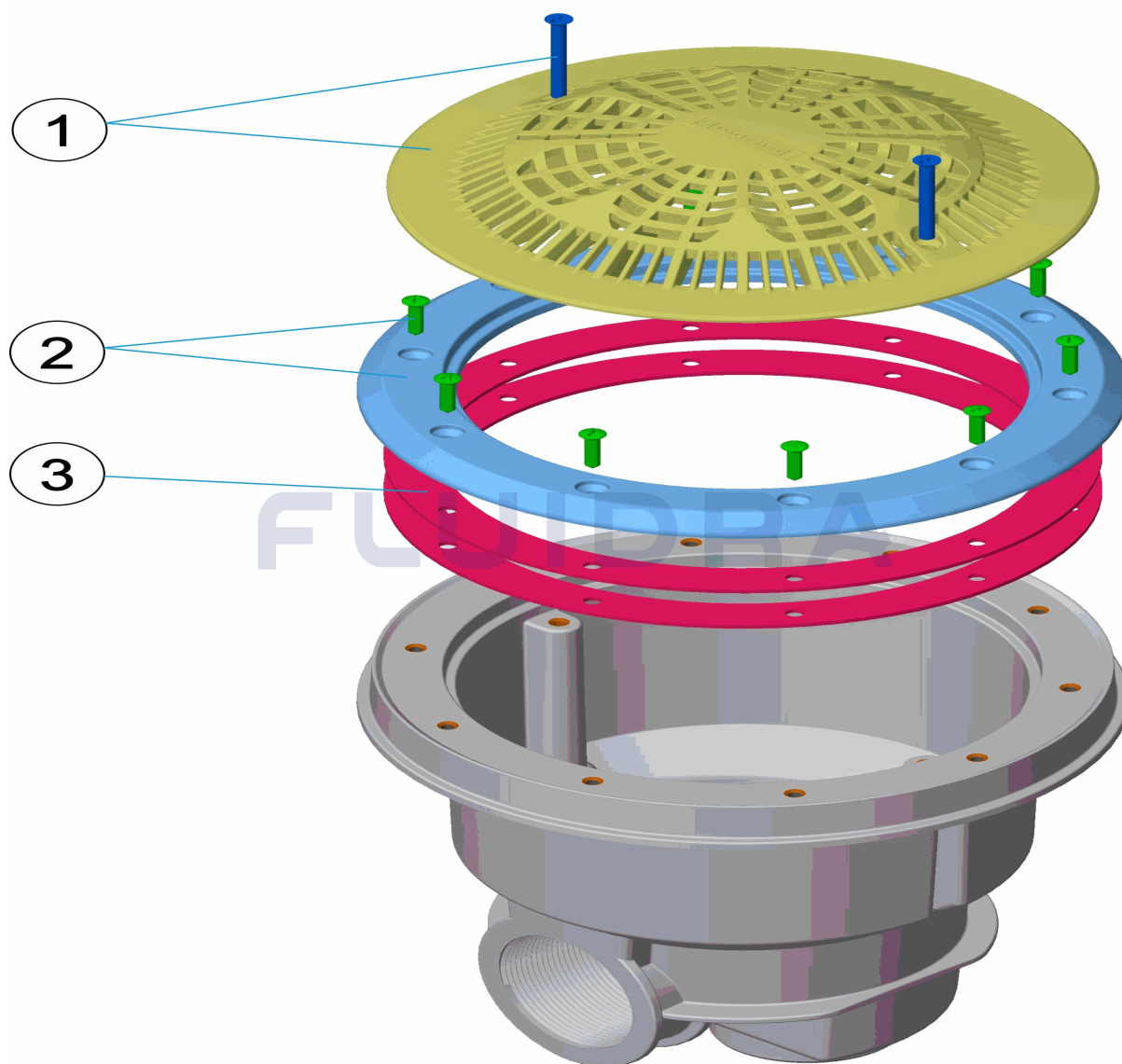


CODIGO 56382, 56382CL090, 56382CL129, 56382CL144, 56383, 56383CL090, 56383CL129, 56383CL144

DESCRIPCION: SUMIDERO NORMA PP. REJILLA SEGURIDAD



ESPAÑOL

POS	CODIGO	DESCRIPCION	CANTIDAD	POS	CODIGO	DESCRIPCION	CANTIDAD
1	* 4402020012	REJILLA SUMIDERO SEGURIDAD PARA INE		2	* 4402020010	BRIDA NORMA SUMIDERO AUTORROSCA	
1	* 4402020013	REJILLA SUMIDERO SEGURIDAD AUTORR		2	* 4402020038	BRIDA NORMA SUMIDERO PARA INSERTOS	
1	* 4402020052	REJILLA SUMIDERO SEGURIDAD PARA INE		2	* 4402020041	BRIDA NORMA SUMIDERO AUTORROSCA	
1	* 4402020055	REJILLA SUMIDERO SEGURIDAD AUTORR		2	* 4402020039	BRIDA NORMA SUMIDERO PARA INSERTOS	
1	* 4402020053	REJILLA SUMIDERO SEGURIDAD PARA INE		2	* 4402020042	BRIDA NORMA SUMIDERO AUTORROSCA	
1	* 4402020056	REJILLA SUMIDERO SEGURIDAD AUTORR		2	* 4402020040	BRIDA NORMA SUMIDERO PARA INSERTOS	
1	* 4402020054	REJILLA SUMIDERO SEGURIDAD PARA INE		2	* 4402020043	BRIDA NORMA SUMIDERO AUTORROSCA	
1	* 4402020057	REJILLA SUMIDERO SEGURIDAD AUTORR		3	4402020011	JUNTA ADHESIVA	
2	* 4402020009	BRIDA NORMA SUMIDERO PARA INSERTO					

CODIGO **56382, 56382CL090, 56382CL129, 56382CL144, 56383, 56383CL090, 56383CL129, 56383CL144**

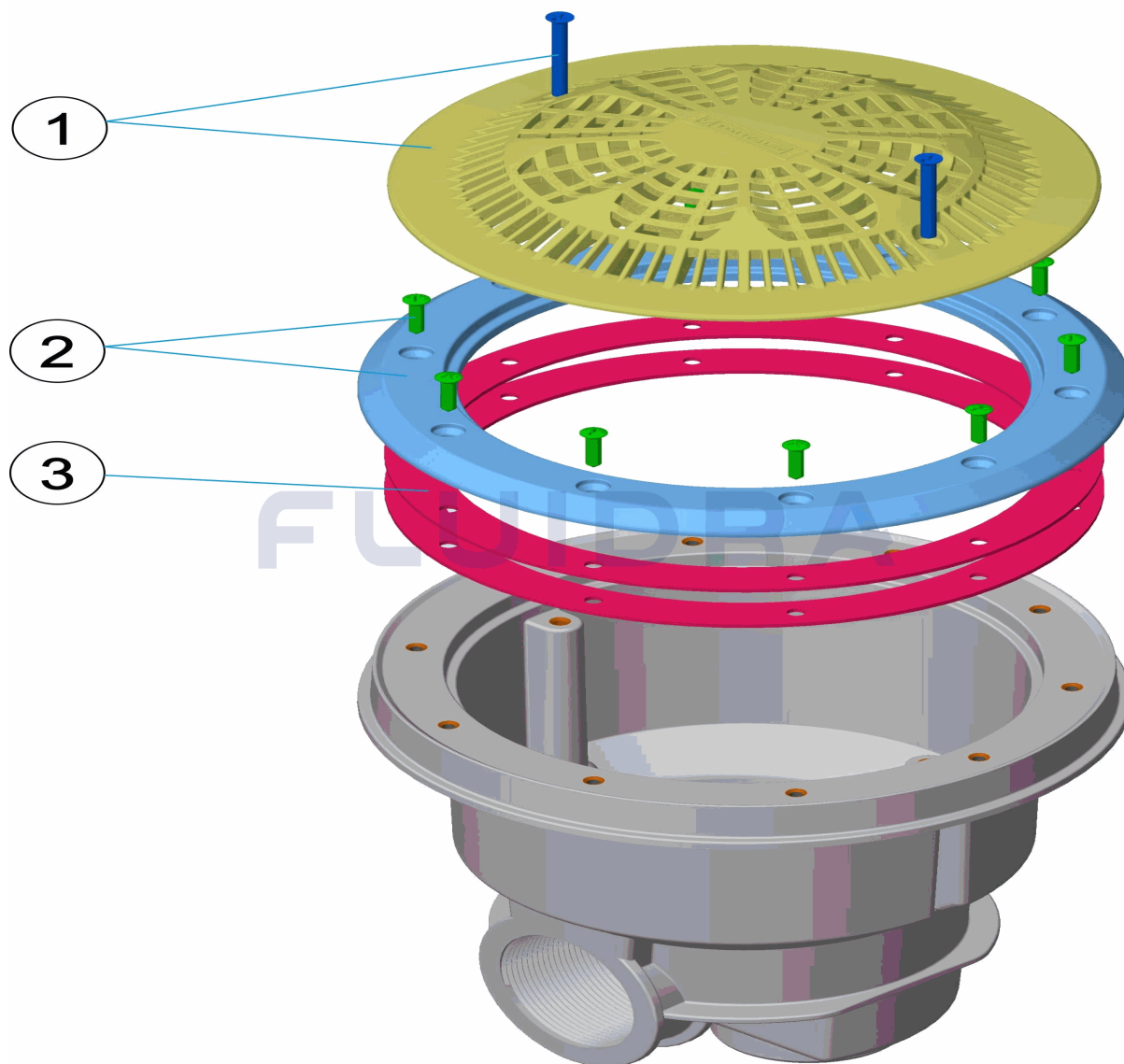
DESCRIPCION: SUMIDERO NORMA PP. REJILLA SEGURIDAD

OBSERVACIONES

POS	CODIGO	OBSERVACIONES
1	* 4402020012	PARA: 56382 BLANCO / WHITE
1	* 4402020013	PARA: 56383 BLANCO / WHITE
1	* 4402020052	PARA: 56382CL090 BEIGE
1	* 4402020055	PARA: 56383CL090 BEIGE
1	* 4402020053	PARA: 56382CL129 GRIS / GREY
1	* 4402020056	PARA: 56383CL129 GRIS / GREY
1	* 4402020054	PARA: 56382CL144 ANTRACITA / ANTHRACITE
1	* 4402020057	PARA: 56383CL144 ANTRACITA / ANTHRACITE
2	* 4402020009	PARA: 56382 BLANCO / WHITE
2	* 4402020010	PARA: 56383 BLANCO / WHITE
2	* 4402020038	PARA: 56382CL090 BEIGE
2	* 4402020041	PARA: 56383CL090 BEIGE
2	* 4402020039	PARA: 56382CL129 GRIS / GREY
2	* 4402020042	PARA: 56383CL129 GRIS / GREY
2	* 4402020040	PARA: 56382CL144 ANTRACITA / ANTHRACITE
2	* 4402020043	PARA: 56383CL144 ANTRACITA / ANTHRACITE

CODE **56382, 56382CL090, 56382CL129, 56382CL144, 56383, 56383CL090, 56383CL129, 56383CL144**

DESCRIPTION: **BONDE NORMA PISC. PRÉF. GRILLE SÉCURITÉ POUR INSERTS ET VIS AU**



FRANCAIS

POS	CODE	DESCRIPTION	QUANTITE	POS	CODE	DESCRIPTION	QUANTITE
1	* 4402020012	GRILLE BONDE SÉCURITÉ POUR INSERTS		2	* 4402020010	BRIDE NORMA BONDE VIS AUTOFOREUSE	
1	* 4402020013	GRILLE BONDE SÉCURITÉ VIS AUTOFORE		2	* 4402020038	BRIDE NORMA BONDE POUR INSERTS	
1	* 4402020052	GRILLE BONDE SÉCURITÉ POUR INSERTS		2	* 4402020041	BRIDE NORMA BONDE VIS AUTOFOREUSE	
1	* 4402020055	GRILLE BONDE SÉCURITÉ VIS AUTOFORE		2	* 4402020039	BRIDE NORMA BONDE POUR INSERTS	
1	* 4402020053	GRILLE BONDE SÉCURITÉ POUR INSERTS		2	* 4402020042	BRIDE NORMA BONDE VIS AUTOFOREUSE	
1	* 4402020056	GRILLE BONDE SÉCURITÉ VIS AUTOFORE		2	* 4402020040	BRIDE NORMA BONDE POUR INSERTS	
1	* 4402020054	GRILLE BONDE SÉCURITÉ POUR INSERTS		2	* 4402020043	BRIDE NORMA BONDE VIS AUTOFOREUSE	
1	* 4402020057	GRILLE BONDE SÉCURITÉ VIS AUTOFORE		3	4402020011	JOINT ADHESIF	
2	* 4402020009	BRIDE NORMA BONDE POUR INSERTS					

CODE **56382, 56382CL090, 56382CL129, 56382CL144, 56383, 56383CL090, 56383CL129, 56383CL144**

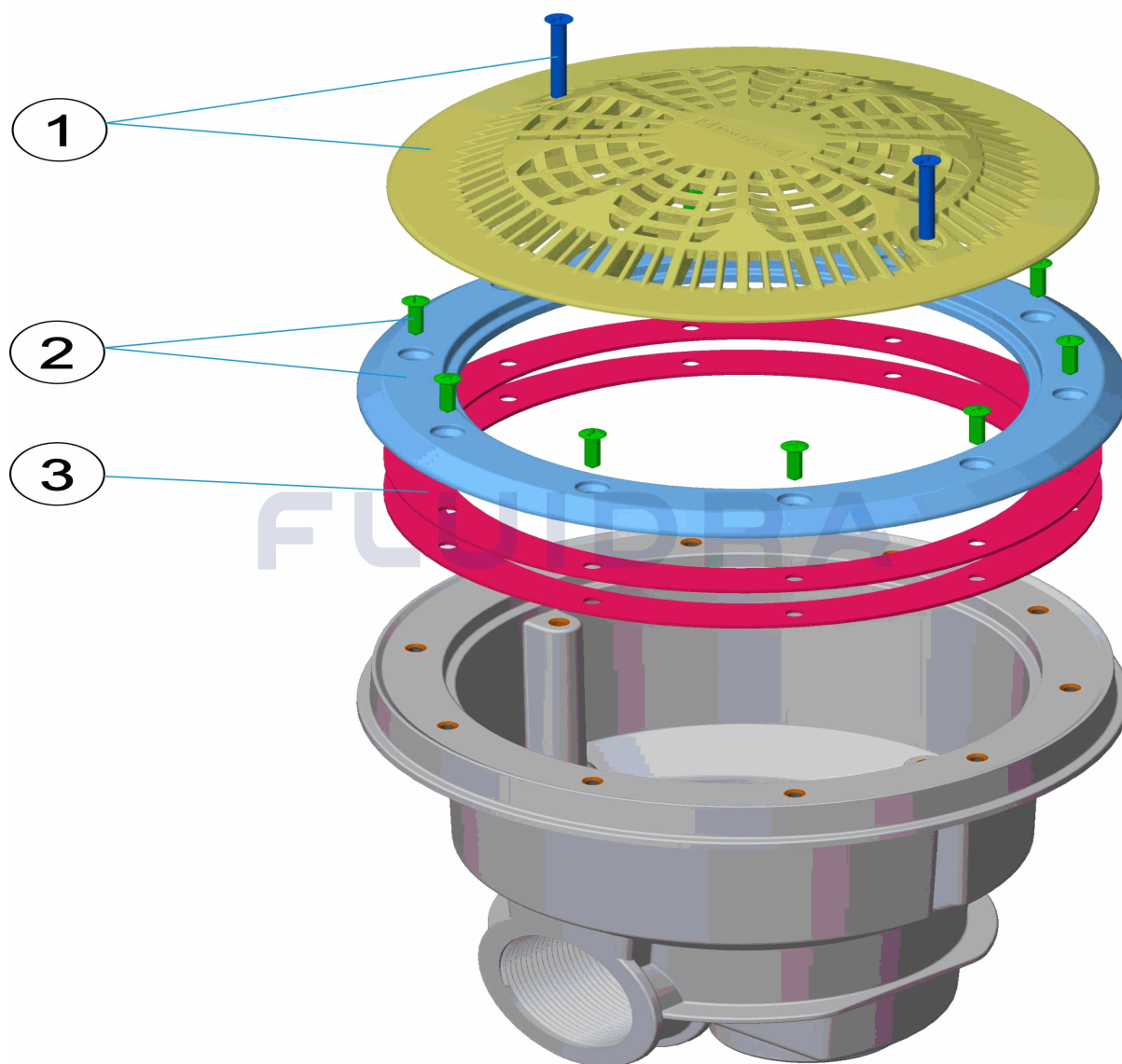
DESCRIPTION: **BONDE NORMA PISC. PRÉF. GRILLE SÉCURITÉ POUR INSERTS ET VIS AU**

OBSERVATIONS

POS	CODE	OBSERVATIONS
1	* 4402020012	POUR: 56382 BLANCO / WHITE
1	* 4402020013	POUR: 56383 BLANCO / WHITE
1	* 4402020052	POUR: 56382CL090 BEIGE
1	* 4402020055	POUR: 56383CL090 BEIGE
1	* 4402020053	POUR: 56382CL129 GRIS / GREY
1	* 4402020056	POUR: 56383CL129 GRIS / GREY
1	* 4402020054	POUR: 56382CL144 ANTRACITA / ANTHRACITE
1	* 4402020057	POUR: 56383CL144 ANTRACITA / ANTHRACITE
2	* 4402020009	POUR: 56382 BLANCO / WHITE
2	* 4402020010	POUR: 56383 BLANCO / WHITE
2	* 4402020038	POUR: 56382CL090 BEIGE
2	* 4402020041	POUR: 56383CL090 BEIGE
2	* 4402020039	POUR: 56382CL129 GRIS / GREY
2	* 4402020042	POUR: 56383CL129 GRIS / GREY
2	* 4402020040	POUR: 56382CL144 ANTRACITA / ANTHRACITE
2	* 4402020043	POUR: 56383CL144 ANTRACITA / ANTHRACITE

CODE **56382, 56382CL090, 56382CL129, 56382CL144, 56383, 56383CL090, 56383CL129, 56383CL144**

DESCRIPTION: **NORMA DRAIN PREFABRICATED POOL SAFETY GRILLE FOR INSERTS AN**



ENGLISH

POS	CODE	DESCRIPTION	QUANTITY	POS	CODE	DESCRIPTION	QUANTITY
1	* 4402020012	SAFETY DRAIN GRILLE FOR INSERTS		2	* 4402020010	NORMA DRAIN FLANGE SELF-THREADING	
1	* 4402020013	SAFETY DRAIN GRILLE SELF-THREADING		2	* 4402020038	NORMA DRAIN FLANGE FOR INSERTS	
1	* 4402020052	SAFETY DRAIN GRILLE FOR INSERTS		2	* 4402020041	NORMA DRAIN FLANGE SELF-THREADING	
1	* 4402020055	SAFETY DRAIN GRILLE SELF-THREADING		2	* 4402020039	NORMA DRAIN FLANGE FOR INSERTS	
1	* 4402020053	SAFETY DRAIN GRILLE FOR INSERTS		2	* 4402020042	NORMA DRAIN FLANGE SELF-THREADING	
1	* 4402020056	SAFETY DRAIN GRILLE SELF-THREADING		2	* 4402020040	NORMA DRAIN FLANGE FOR INSERTS	
1	* 4402020054	SAFETY DRAIN GRILLE FOR INSERTS		2	* 4402020043	NORMA DRAIN FLANGE SELF-THREADING	
1	* 4402020057	SAFETY DRAIN GRILLE SELF-THREADING		3	4402020011	ADHESIVE GASKET	
2	* 4402020009	NORMA DRAIN FLANGE FOR INSERTS					

CODE **56382, 56382CL090, 56382CL129, 56382CL144, 56383, 56383CL090, 56383CL129, 56383CL144**

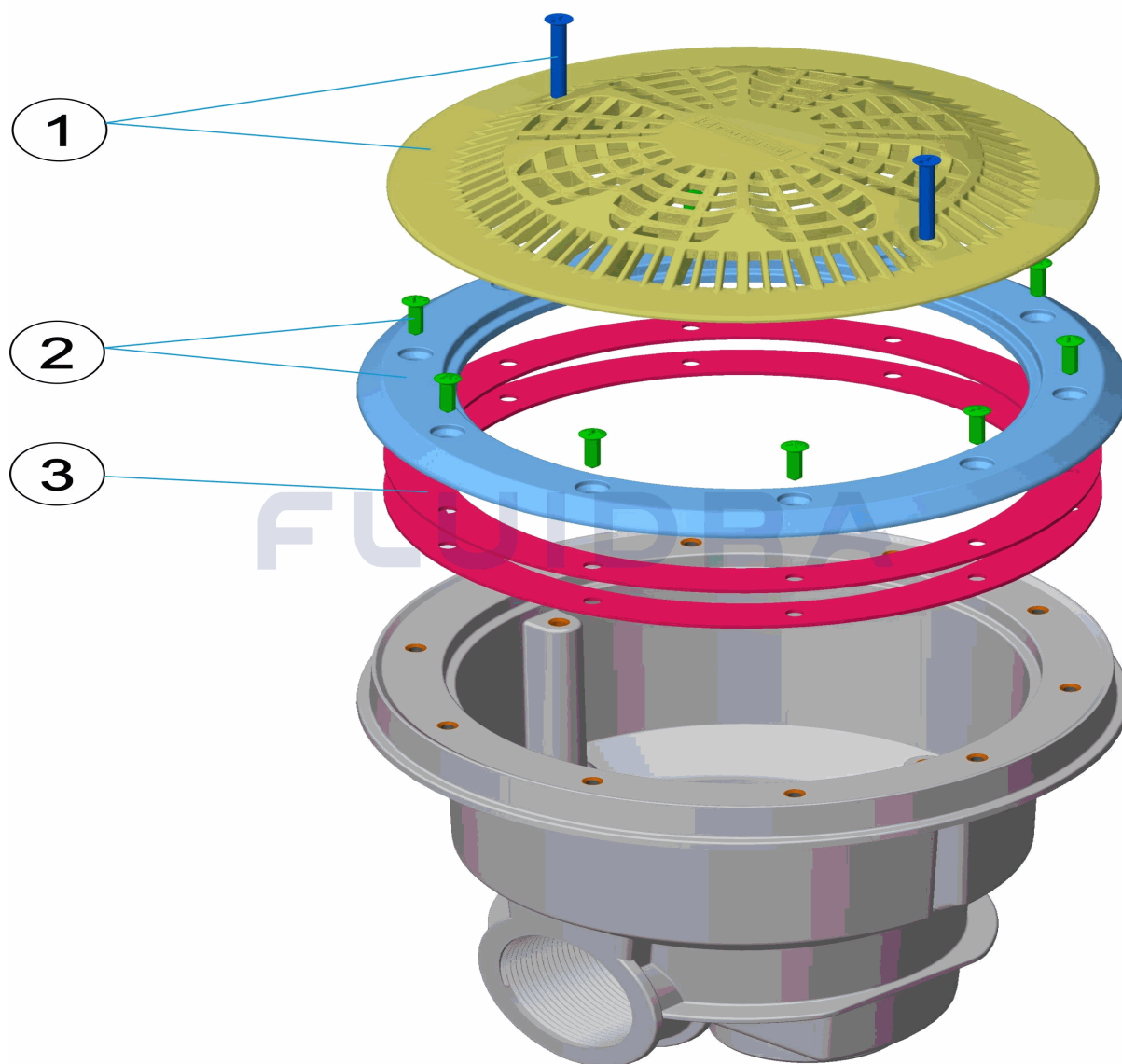
DESCRIPTION: **NORMA DRAIN PREFABRICATED POOL SAFETY GRILLE FOR INSERTS AN**

OBSERVATIONS

POS	CODE	OBSERVATIONS
1	* 4402020012	FOR: 56382 BLANCO / WHITE
1	* 4402020013	FOR: 56383 BLANCO / WHITE
1	* 4402020052	FOR: 56382CL090 BEIGE
1	* 4402020055	FOR: 56383CL090 BEIGE
1	* 4402020053	FOR: 56382CL129 GRIS / GREY
1	* 4402020056	FOR: 56383CL129 GRIS / GREY
1	* 4402020054	FOR: 56382CL144 ANTRACITA / ANTHRACITE
1	* 4402020057	FOR: 56383CL144 ANTRACITA / ANTHRACITE
2	* 4402020009	FOR: 56382 BLANCO / WHITE
2	* 4402020010	FOR: 56383 BLANCO / WHITE
2	* 4402020038	FOR: 56382CL090 BEIGE
2	* 4402020041	FOR: 56383CL090 BEIGE
2	* 4402020039	FOR: 56382CL129 GRIS / GREY
2	* 4402020042	FOR: 56383CL129 GRIS / GREY
2	* 4402020040	FOR: 56382CL144 ANTRACITA / ANTHRACITE
2	* 4402020043	FOR: 56383CL144 ANTRACITA / ANTHRACITE

CODICE **56382, 56382CL090, 56382CL129, 56382CL144, 56383, 56383CL090, 56383CL129, 56383CL144**

DESCRIZIONE: SCOLO NORMA PIS. PREF. GRIGLIA DI SICUREZZA PER INSETTI E AUTOF



ITALIANO

POS	CODICE	DESCRIZIONE	QUANTITA'	POS	CODICE	DESCRIZIONE	QUANTITA'
1	* 4402020012	GRIGLIA SCOLO DI SICUREZZA PER INSET		2	* 4402020010	FLANGIA NORMA SCOLO AUTOFILETTANTE	
1	* 4402020013	GRIGLIA SCOLO DI SICUREZZA AUTOFILE		2	* 4402020038	FLANGIA NORMA SCOLO PER INSETTI	
1	* 4402020052	GRIGLIA SCOLO DI SICUREZZA PER INSET		2	* 4402020041	FLANGIA NORMA SCOLO AUTOFILETTANTE	
1	* 4402020055	GRIGLIA SCOLO DI SICUREZZA AUTOFILE		2	* 4402020039	FLANGIA NORMA SCOLO PER INSETTI	
1	* 4402020053	GRIGLIA SCOLO DI SICUREZZA PER INSET		2	* 4402020042	FLANGIA NORMA SCOLO AUTOFILETTANTE	
1	* 4402020056	GRIGLIA SCOLO DI SICUREZZA AUTOFILE		2	* 4402020040	FLANGIA NORMA SCOLO PER INSETTI	
1	* 4402020054	GRIGLIA SCOLO DI SICUREZZA PER INSET		2	* 4402020043	FLANGIA NORMA SCOLO AUTOFILETTANTE	
1	* 4402020057	GRIGLIA SCOLO DI SICUREZZA AUTOFILE		3	4402020011	GUARNIZIONE ADESIVA	
2	* 4402020009	FLANGIA NORMA SCOLO PER INSETTI					

CODICE **56382, 56382CL090, 56382CL129, 56382CL144, 56383, 56383CL090, 56383CL129, 56383CL144**

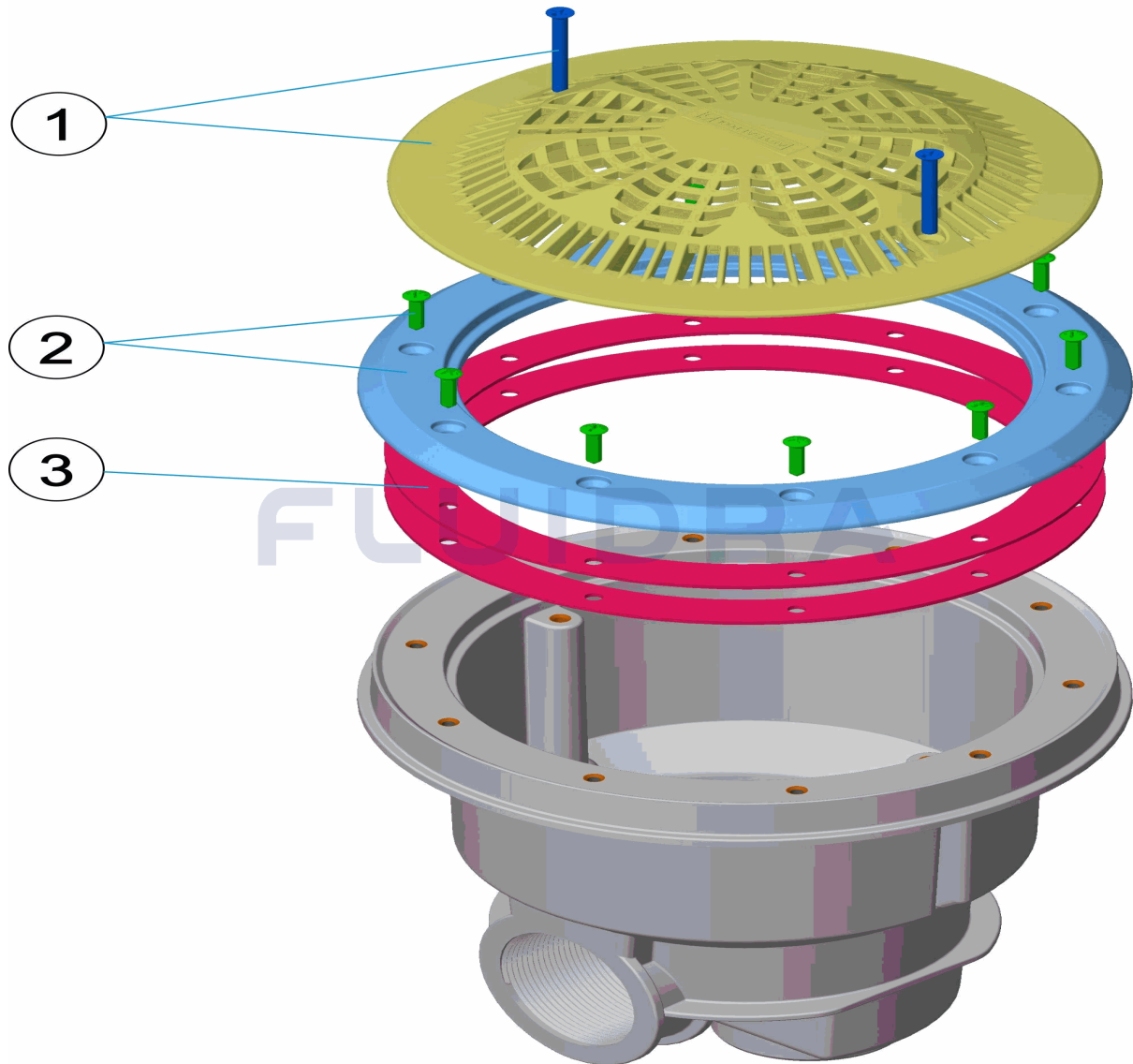
DESCRIZIONE: SCOLO NORMA PIS. PREF. GRIGLIA DI SICUREZZA PER INSETTI E AUTOF

OSSERVAZIONI

POS	CODICE	OSSERVAZIONI
1	* 4402020012	PER: 56382 BLANCO / WHITE
1	* 4402020013	PER: 56383 BLANCO / WHITE
1	* 4402020052	PER: 56382CL090 BEIGE
1	* 4402020055	PER: 56383CL090 BEIGE
1	* 4402020053	PER: 56382CL129 GRIS / GREY
1	* 4402020056	PER: 56383CL129 GRIS / GREY
1	* 4402020054	PER: 56382CL144 ANTRACITA / ANTHRACITE
1	* 4402020057	PER: 56383CL144 ANTRACITA / ANTHRACITE
2	* 4402020009	PER: 56382 BLANCO / WHITE
2	* 4402020010	PER: 56383 BLANCO / WHITE
2	* 4402020038	PER: 56382CL090 BEIGE
2	* 4402020041	PER: 56383CL090 BEIGE
2	* 4402020039	PER: 56382CL129 GRIS / GREY
2	* 4402020042	PER: 56383CL129 GRIS / GREY
2	* 4402020040	PER: 56382CL144 ANTRACITA / ANTHRACITE
2	* 4402020043	PER: 56383CL144 ANTRACITA / ANTHRACITE

CODE **56382, 56382CL090, 56382CL129, 56382CL144, 56383, 56383CL090, 56383CL129, 56383CL144**

BESCHREIBUNG: **ABFLUSS NORMA PP. SCHUTZGITTER**



DEUTSCH

POS	CODE	BESCHREIBUNG	MENGE	POS	CODE	BESCHREIBUNG	MENGE
1	* 4402020012	SICHERHEITSGITTER ABFLUSS FÜR EINS,		2	* 4402020010	FLANSCH NORMA ABFLUSS SELBSTBORHI	
1	* 4402020013	SICHERHEITSGITTER ABFLUSS SELBSTBC		2	* 4402020038	FLANSCH NORMA ABFLUSS FÜR EINSÄTZE	
1	* 4402020052	SICHERHEITSGITTER ABFLUSS FÜR EINS,		2	* 4402020041	FLANSCH NORMA ABFLUSS SELBSTBORHI	
1	* 4402020055	SICHERHEITSGITTER ABFLUSS SELBSTBC		2	* 4402020039	FLANSCH NORMA ABFLUSS FÜR EINSÄTZE	
1	* 4402020053	SICHERHEITSGITTER ABFLUSS FÜR EINS,		2	* 4402020042	FLANSCH NORMA ABFLUSS SELBSTBORHI	
1	* 4402020056	SICHERHEITSGITTER ABFLUSS SELBSTBC		2	* 4402020040	FLANSCH NORMA ABFLUSS FÜR EINSÄTZE	
1	* 4402020054	SICHERHEITSGITTER ABFLUSS FÜR EINS,		2	* 4402020043	FLANSCH NORMA ABFLUSS SELBSTBORHI	
1	* 4402020057	SICHERHEITSGITTER ABFLUSS SELBSTBC		3	4402020011	DICHTUNG SELBSTKLEBEND	
2	* 4402020009	FLANSCH NORMA ABFLUSS FÜR EINSÄTZ					

CODE **56382, 56382CL090, 56382CL129, 56382CL144, 56383, 56383CL090, 56383CL129, 56383CL144**

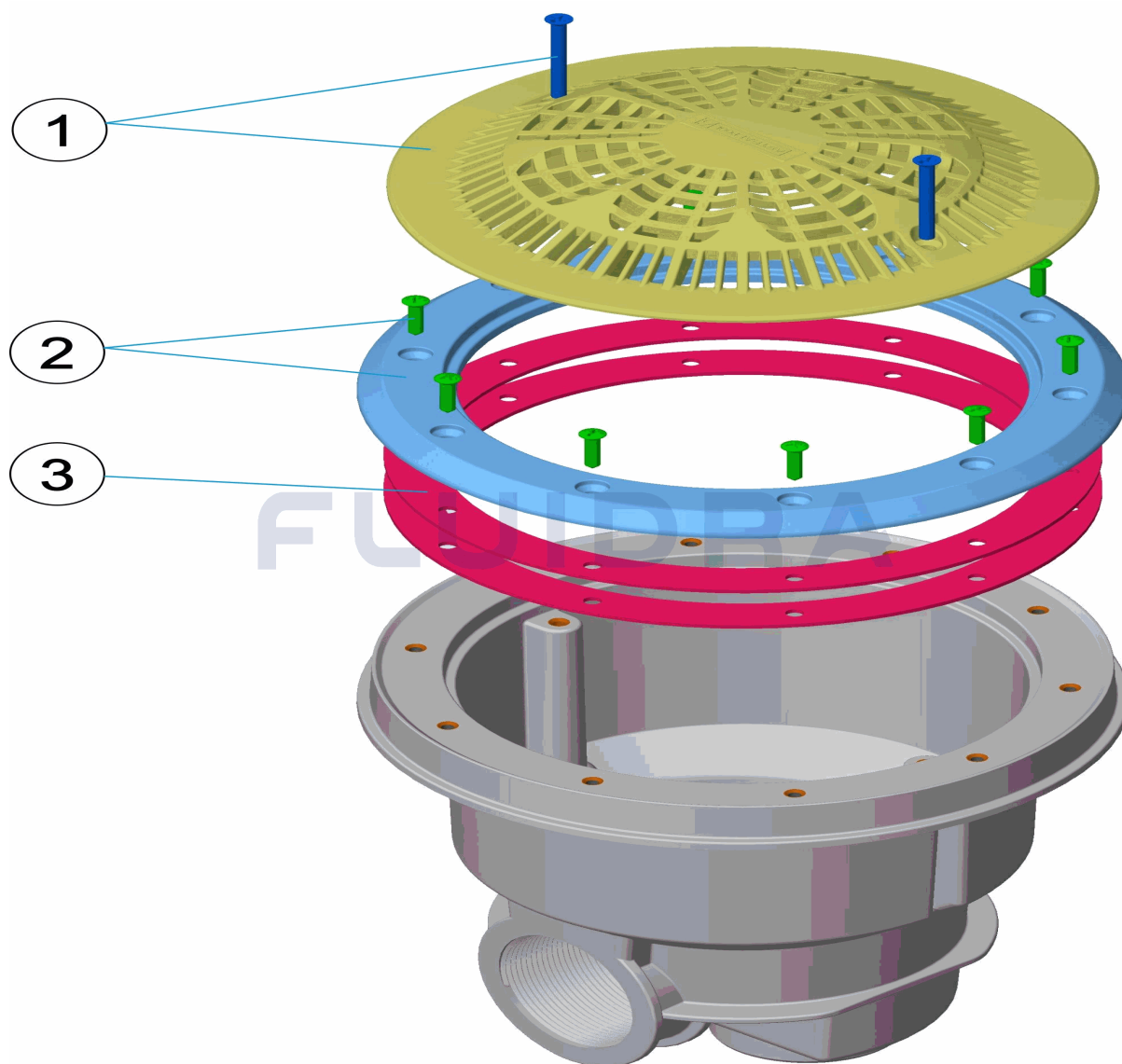
BESCHREIBUNG: **ABFLUSS NORMA PP. SCHUTZGITTER**

HINWEISE

POS	CODE	HINWEISE
1	* 4402020012	FÜR: 56382 BLANCO / WHITE
1	* 4402020013	FÜR: 56383 BLANCO / WHITE
1	* 4402020052	FÜR: 56382CL090 BEIGE
1	* 4402020055	FÜR: 56383CL090 BEIGE
1	* 4402020053	FÜR: 56382CL129 GRIS / GREY
1	* 4402020056	FÜR: 56383CL129 GRIS / GREY
1	* 4402020054	FÜR: 56382CL144 ANTRACITA / ANTHRACITE
1	* 4402020057	FÜR: 56383CL144 ANTRACITA / ANTHRACITE
2	* 4402020009	FÜR: 56382 BLANCO / WHITE
2	* 4402020010	FÜR: 56383 BLANCO / WHITE
2	* 4402020038	FÜR: 56382CL090 BEIGE
2	* 4402020041	FÜR: 56383CL090 BEIGE
2	* 4402020039	FÜR: 56382CL129 GRIS / GREY
2	* 4402020042	FÜR: 56383CL129 GRIS / GREY
2	* 4402020040	FÜR: 56382CL144 ANTRACITA / ANTHRACITE
2	* 4402020043	FÜR: 56383CL144 ANTRACITA / ANTHRACITE

CODIGO 56382, 56382CL090, 56382CL129, 56382CL144, 56383, 56383CL090, 56383CL129, 56383CL144

DESCRIÇÃO: RALO NORMA PIS. PREF. GRADE SEGURANÇA PARA INSERÇÕES E AUTO



PORTUGUES

POS	CODIGO	DESCRIÇÃO	JANTIDADE	POS	CODIGO	DESCRIÇÃO	JANTIDADE
1	* 4402020012	GRADE RALO SEGURANÇA PARA INSERÇ		2	* 4402020010	FLANGE NORMA RALO AUTO ROSCA	
1	* 4402020013	GRADE RALO SEGURANÇA AUTO ROSCA		2	* 4402020038	FLANGE NORMA RALO PARA INSERÇÕES	
1	* 4402020052	GRADE RALO SEGURANÇA PARA INSERÇ		2	* 4402020041	FLANGE NORMA RALO AUTO ROSCA	
1	* 4402020055	GRADE RALO SEGURANÇA AUTO ROSCA		2	* 4402020039	FLANGE NORMA RALO PARA INSERÇÕES	
1	* 4402020053	GRADE RALO SEGURANÇA PARA INSERÇ		2	* 4402020042	FLANGE NORMA RALO AUTO ROSCA	
1	* 4402020056	GRADE RALO SEGURANÇA AUTO ROSCA		2	* 4402020040	FLANGE NORMA RALO PARA INSERÇÕES	
1	* 4402020054	GRADE RALO SEGURANÇA PARA INSERÇ		2	* 4402020043	FLANGE NORMA RALO AUTO ROSCA	
1	* 4402020057	GRADE RALO SEGURANÇA AUTO ROSCA		3	4402020011	JUNTA ADESIVA	
2	* 4402020009	FLANGE NORMA RALO PARA INSERÇÕES					

CODIGO **56382, 56382CL090, 56382CL129, 56382CL144, 56383, 56383CL090, 56383CL129, 56383CL144**

DESCRIÇÃO: RALO NORMA PIS. PREF. GRADE SEGURANÇA PARA INSERÇÕES E AUTO

OBSERVAÇÕES

POS	CODIGO	OBSERVAÇÕES
1	* 4402020012	PARA: 56382 BLANCO / WHITE
1	* 4402020013	PARA: 56383 BLANCO / WHITE
1	* 4402020052	PARA: 56382CL090 BEIGE
1	* 4402020055	PARA: 56383CL090 BEIGE
1	* 4402020053	PARA: 56382CL129 GRIS / GREY
1	* 4402020056	PARA: 56383CL129 GRIS / GREY
1	* 4402020054	PARA: 56382CL144 ANTRACITA / ANTHRACITE
1	* 4402020057	PARA: 56383CL144 ANTRACITA / ANTHRACITE
2	* 4402020009	PARA: 56382 BLANCO / WHITE
2	* 4402020010	PARA: 56383 BLANCO / WHITE
2	* 4402020038	PARA: 56382CL090 BEIGE
2	* 4402020041	PARA: 56383CL090 BEIGE
2	* 4402020039	PARA: 56382CL129 GRIS / GREY
2	* 4402020042	PARA: 56383CL129 GRIS / GREY
2	* 4402020040	PARA: 56382CL144 ANTRACITA / ANTHRACITE
2	* 4402020043	PARA: 56383CL144 ANTRACITA / ANTHRACITE